

V-Buster FAN

 **RISE**





V-Buster FAN (VB FAN)

92%-99%

Preventive Medical Theory

Specially Designed for Clinics, Schools, VIP Spaces & Home Care

Active Decomposes H1N1 x Enterovirus x Bacteria x Formaldehyde

Blocking PM0.3 x PM2.5 x Fungus

24hours Air Purification x Super Prevent Indoor Infections

Safely Caring x Easy Working x Healthy Growing x Comfortable Recuperating



How VB FAN Works?

NTDA Adhesion Diffuser

+

Professional Designed Air Circulation System

+

NTDA Composite Filter

+

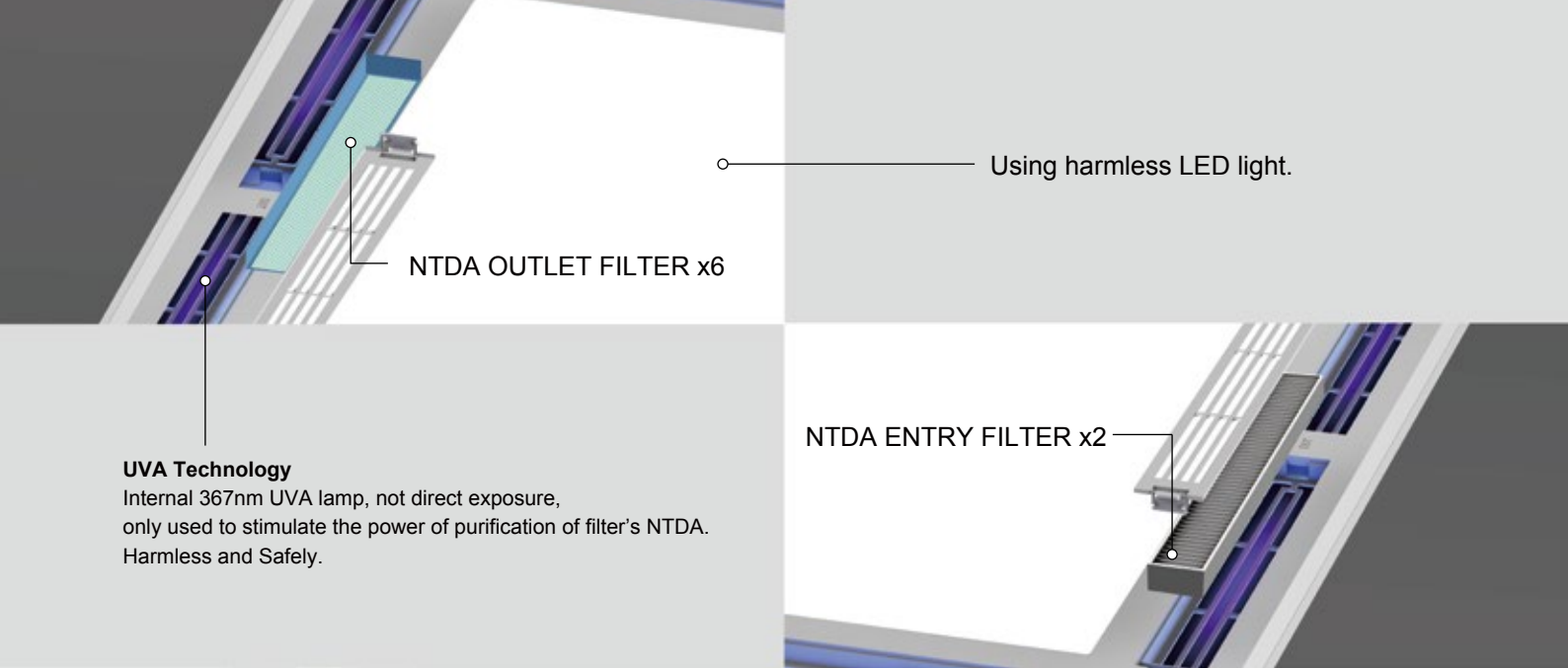
Harmless LED & UVA Technology



Lighting On: Strengthen Purifying Functions

Lighting Off: Keeps on Purifying

Using Harmless LED Light & Internal UVA Light,
More Effective, More Healthier



UVA Technology

Internal 367nm UVA lamp, not direct exposure, only used to stimulate the power of purification of filter's NTDA. Harmless and Safely.

NTDA ENTRY FILTER x2

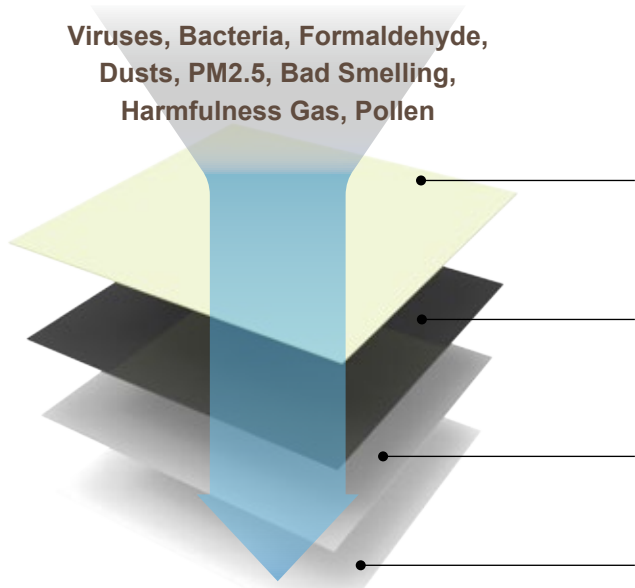


NTDA Non-Woven Fabric

99% Active Decomposes Viruses, Bacteria & Formaldehyde
Blocking PM10

NTDA OUTLET FILTER x6

Viruses, Bacteria, Formaldehyde,
Dusts, PM2.5, Bad Smelling,
Harmfulness Gas, Pollen



NTDA Non-Woven Fabric

99% Active Decomposed Action

Activated Carbon

(Coconut Particles-Iodine value 1050/1450)

3M's PM2.5 Filter

NTDA Non-Woven Fabric

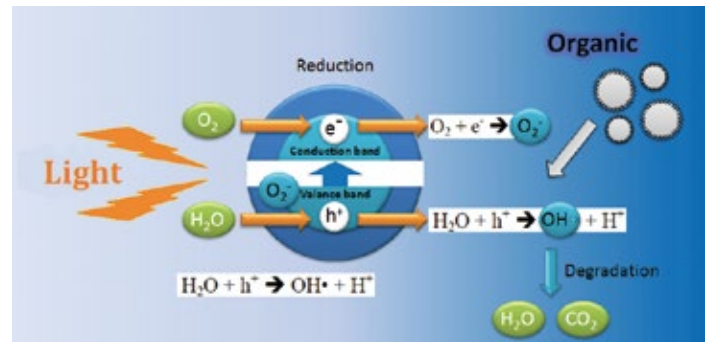
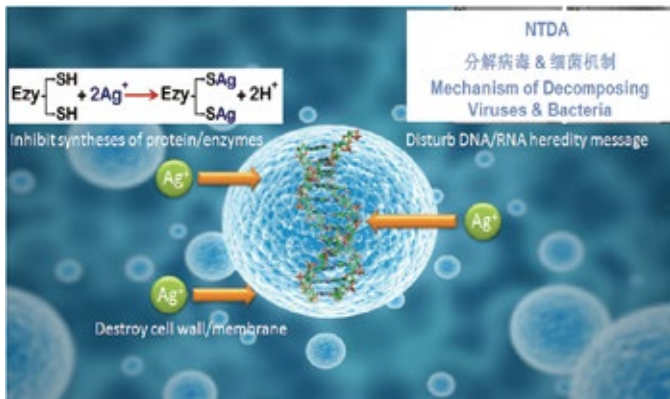
99% Active Decomposed Action

FRESH AIR

How NTDA Works?

NTDA - Nano TiO₂ Doped with Ag⁺

*NTDA Photocatalysis



1. Interfering the synthesis of the cell wall & Damaging the cell membranes.
2. Inhibiting the protein synthesis & Interfering the nucleic acid synthesis.
3. Inhibiting reproduction ability of bacterium, Destroying metabolism & Decomposing the structure of cell membrane.
4. Viruses and bacteria are completely decomposed.

Features of NTDA (Nano TiO₂ Doped with Ag⁺)

- Patents: Germany, U.S.A., Japan, China & Taiwan.
- Tested & Certified: SGS & USA-Microbac Laboratories etc.
- 99% Active Decomposes Viruses & Bacteria without Causing Dirt Accumulation.
- Decomposed the Harmful Gases and Converted Into Non-toxic & Harmless Substances.
- Anti-Formaldehyde、PM2.5、TVOC & Fungus.
- Break down Bio-Waste into Hydrophilia and Carbon Dioxide.
- Pass Non-Toxic Testing: the Stem Cells of Adults & Newborns.
- Pass Non-Toxic Testing: Skin & Oral.
- Long-term effectiveness; even when the light is turned off.



VB FAN

Medical areas: Hospital, Clinic, Postnatal Care Center, Nursery Room, Rehabilitation Center.

Anti-Viruses & Bacteria x Formaldehyde x PM 0.3 x PM 2.5

Super Prevent Indoor Infections from Air Pollutions

Safely Caring x Easy Working x Comfortable Recuperating.



The Test Reports of VB FAN

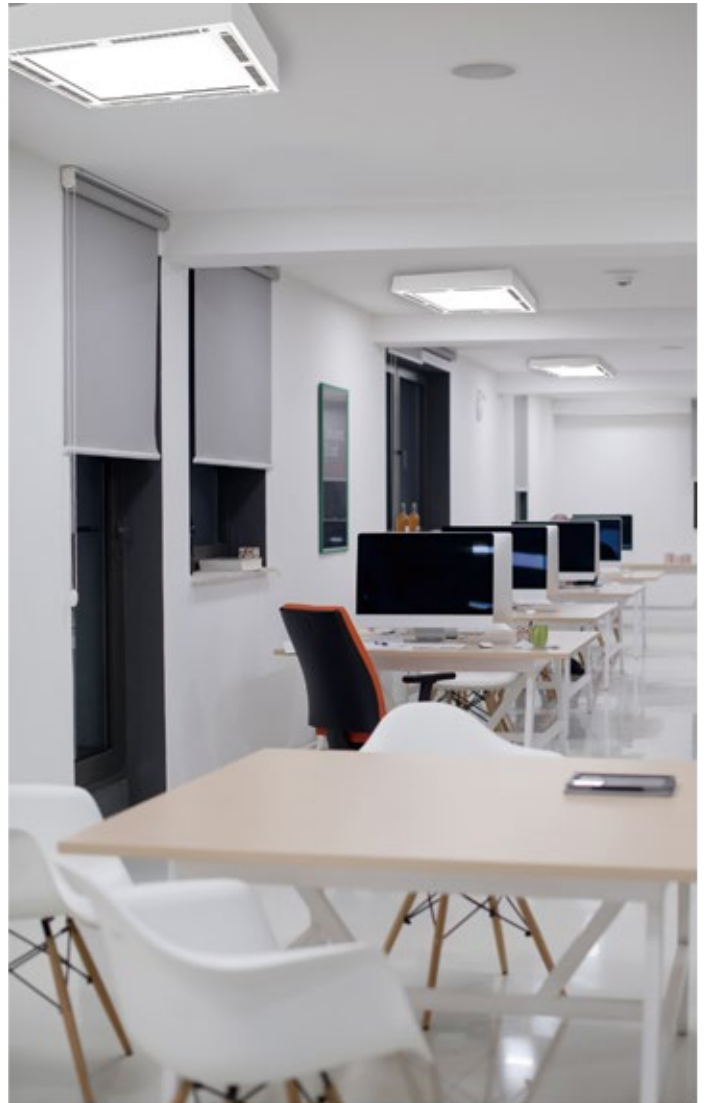
No.	Testing Unit	Testing Proto Type	Elimination Rate
1.	(China) Beijing Qingjian Testing Group	Human Coronavirus 229E, VR-740	91.41%
2.	(Guangzhou) SGS	H1N1	99.80%
3.	(Taiwan) SGS	Falling bacteria counts	95.34%
4.		Formaldehyde	92.4%
5.	(China) Guangdong Detection Center of Microbiology	Escherichia coli	99.94%
6.		Staphylococcus aureus	99.93%

The Test Reports of NTDA

1.	(USA) Microbac Laboratories	SARS-CoV	99.99%
2.		Enterovirus	
3.		H1N1	
4-8.	(Taiwan) SGS	Escherichia coli \ Pseudomonas aeruginosa \ Staphylococcus aureus \ Salmonella enteric & Candida albicans	99%
9.		Formaldehyde	99.99%
10.		TVOC	96.4%
11.		ASTM G21 Test : Aspeergillus niger \ Penicillium pinophilum \ Chaetomium \ Gliocladium virens & Aureobasidium.	(No Growth On ASTM G21)
12.	(Taiwan) Food Industry Research & Development Institute	Escherichia coli Staphylococcus aureus	99%
13.		Legionella Pneu. - mophila	99.92%
14.		MRSA (Superbug)	99.03%
15.		Streptococcus pneumoniae	99.88%
16.	(China) Sandong Center for Disease Control and Prevention	Escherichia coli	100%
17.		Staphylococcus aureus	100%
18.		Mycobacterium tuberculosis	94.98%
19.		EV-A71 Enterovirus EV-A71	94.38%

VB FAN

School areas: Kindergarten, School, Tutorial Class Room.
Anti-Viruses & Bacteria x Formaldehyde x PM 0.3 x PM 2.5
Super Prevent Indoor Infections from Air Pollutions
Safely Caring x Easy Working x Comfortable Recuperating.



The Test Reports of NTDA

No.	Testing Unit	Testing Proto Type	Elimination Rate
20.	(China) Sandong Center for Disease Control and Prevention	CV-A16 Enterovirus CV-A16	90%
21.		Polio virus	91.68%
22.	(China) Guangzhou Testing Center of Industrial Microbiology	Staphylococcus aureus	99%
23.	(China) Test Center of Antimicrobial Materials–Technical Institute of Physics and Chemistry, Chinese Academy of Sciences	Staphylococcus aureus	99%
24.		Escherichia coli	99%
25.	(China) National Research of Testing Techniques for Building Materials	Staphylococcus aureus	99.4%
26.	(China) Chinese Center for Disease Control & Prevention	Non-Toxic Testing: Oral	Pass
27.		Non-Toxic Testing: Skin	
28.	(Taiwan) Center for Micro/Nano Science & Technology	Non-Toxic Testing: Oral	Pass
29.	(Taiwan) Official Organization of Health & Welfare	Non-Toxic Testing: Skin	Pass

Prevention Symptoms

- Pneumonia/Sepsis/Hardly Breathing/Blood Phlegm
- Chest Pain/Unconscious/Central nervous poisoning
- Hematopoietic System Damage/Cancer /Anorexia
- Fever/HFMD/Muscle Pain/Head Aches
- Diarrhea/Abdominal cramps/Vomiting
- Pulmonary & skin infection/Sepsis/Polio
- Cervical Sclerosis/Fatigue/Muscular Dystrophy
- Sleep-related Breath Disorder

VB FAN

VIP areas: VIP Meeting Room, CEO Office, VIP Lounges.

Sports areas: Gym, Sports Center.

High-Standard areas: Pharmaceutical Factory, Semiconductor Manufacturing Factory.

Anti-Viruses & Bacteria x Formaldehyde x PM2.5

Super Prevent Indoor Infections from Air Pollutions

Easy Working x Comfortable Communicating x Safely Exercising




The Test Data of Effective Blocking PM0.3 & PM2.5



10 Minutes After using VB FAN The Pollution Level has Dropped Significantly

Starting VB FAN	Before	10mins After	20mins After	30mins After
PM 0.3	86	27	14	7
PM 1.0	259	84	43	23
PM 2.5	1083	179	79	39
PM 10	1477	212	95	46

According to the SGS test standard, it is carried out in a sealed test space of 1M cube, using smoke generator as a source of pollution.

- 
- **Multifunction: Unique Air Purifying System x Professional LED Lighting**
 - **Prevention x Use of Special formula's NTDA (Nano TiO₂ Doped with Ag+)**
 - **Active Decomposes Viruses x Bacteria x Formaldehyde**
 - **Lighting On / Lighting off: Keeps on Purifying Indoor Air**
 - **The Same Size as the Panel Light: Easily be Replaced x Installed**
 - **Space-saving x Economize Costs x Energy-saving**
 - **Easy to Use: Dimmable X Remote Control x Memory Mode**

V-Buster FAN 



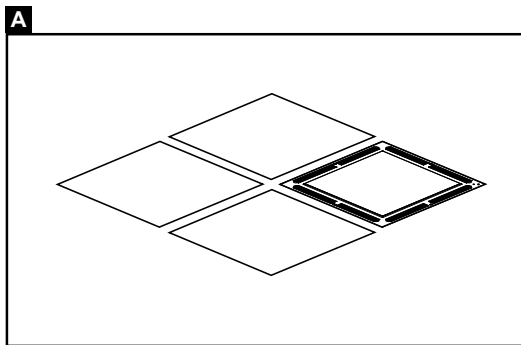


Multiple installation method:

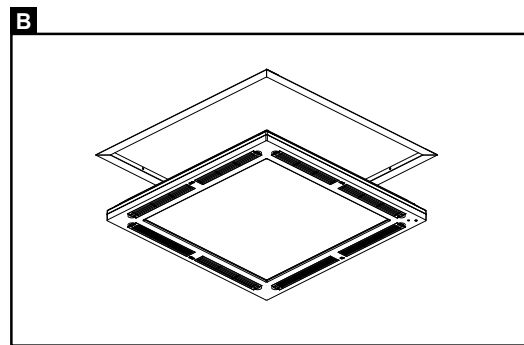
- Recessed type (light steel frame)
- Recessed type (open ceiling)
- Pendant type
- Surface mounted type

Multiple modes for Air flow:

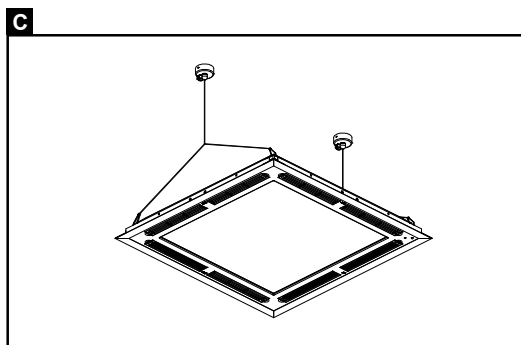
- Super mode (100%)
- High mode (60%)
- Soft mode (30%)



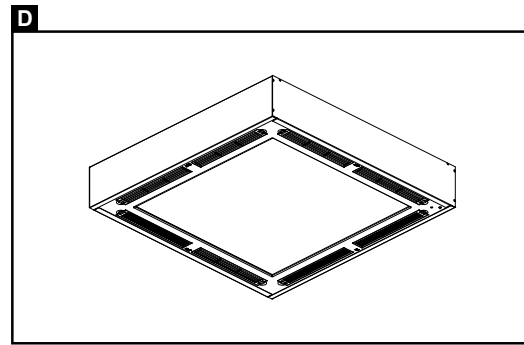
A
Recessed type (light steel frame)



B
Recessed type (open ceiling)

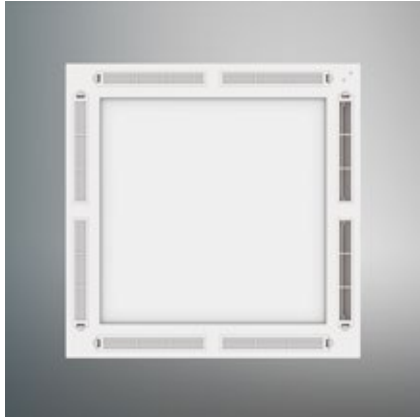


C
Pendant type



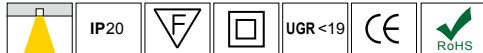
D
Surface mounted type

V-Buster FAN

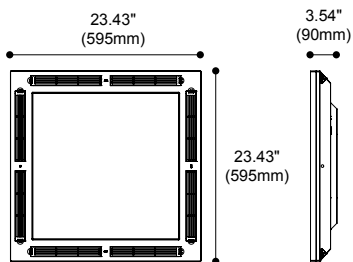


Article number	2018.136
Weight	7.5kg
Total Wattage	55W
LED Panel Wattage(Max)	36W
Fan Wattage(Max)	19W
Voltage	90-264 (Vac)
Delivered Lumen	3100(lm)
Beam Angle	80°
CCT	5000K
CRI	80+
Driver(Built-in)	I/P : 90-264V 50/60HZ O/P : 30-40V 900 mA

Colours White



Dimmable



Accessories



ST-VB-1
Surface mounted frame



ACOT-6
Pendant Kit



ST-VB-2
Recessed frame





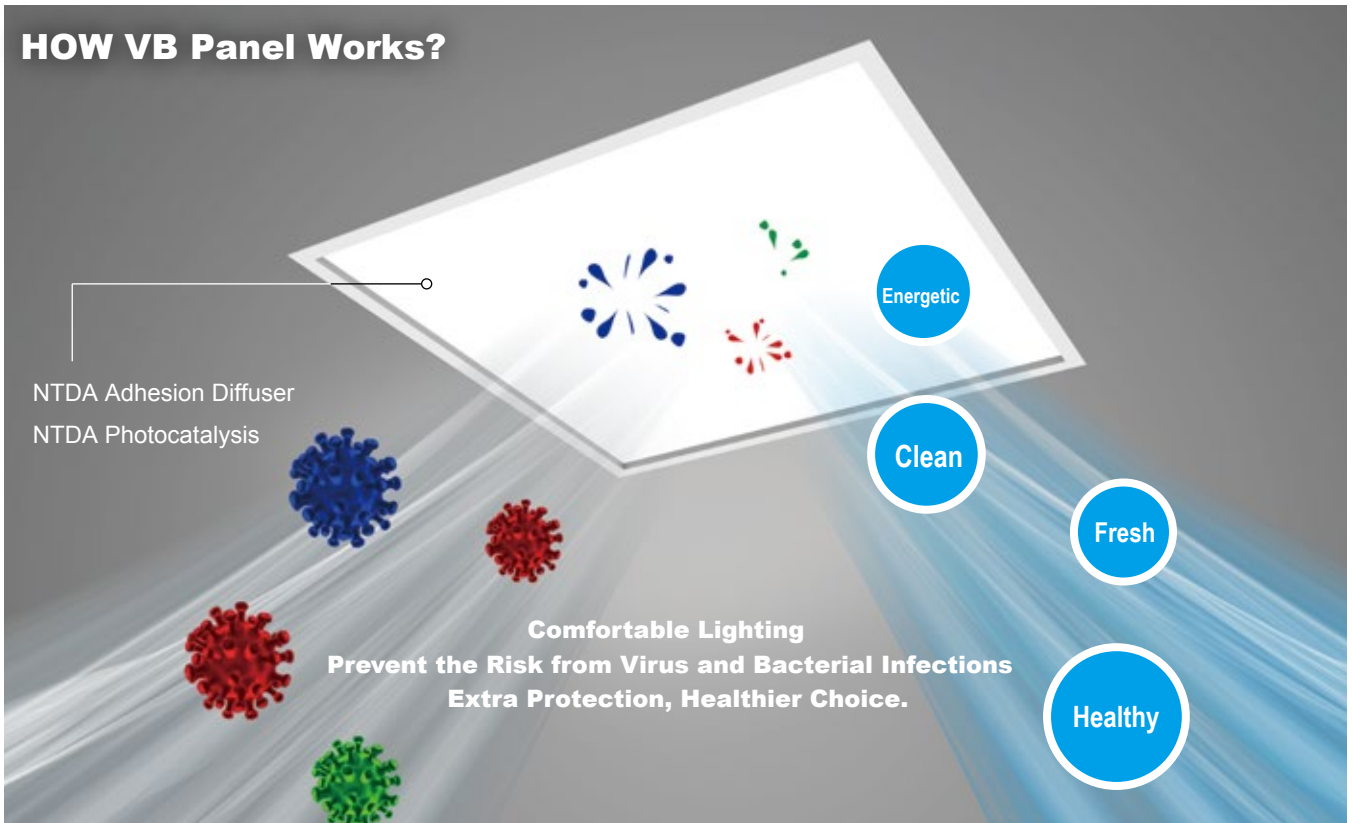
V-Buster PANEL (VB PANEL):
99.99% Anti-H1N1
THIN FOR EXTRA PROTECTION

Low Glare, Energy Saving, Comfortable And Ultra Thin Profile.

VB PANEL, Coated With Patented Material For Extra Health Protection While Lighting.

With A Little More Cost, Great Value Of Prevention For Your Daily Health.

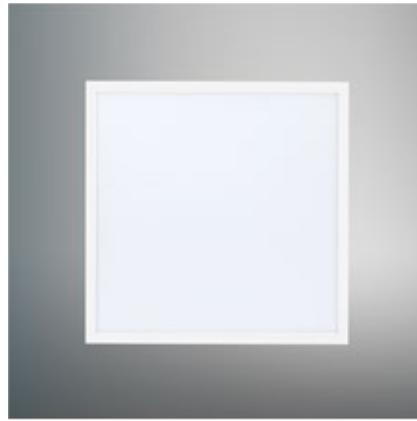
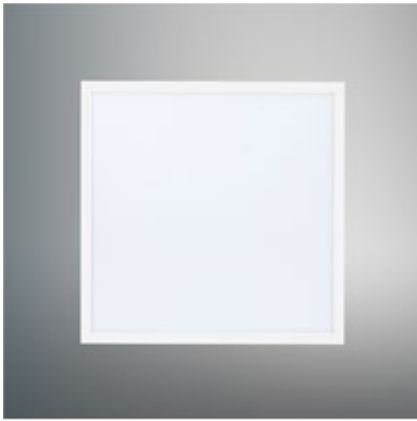
HOW VB Panel Works?



Features of NTDA (Nano TiO₂ Doped with Ag⁺)

- Patents: Germany, U.S.A., Japan, China & Taiwan.
- Tested & Certified: SGS & USA-Microbac Laboratories etc.
- Decomposes Viruses & Bacteria without Causing Dirt Accumulation.
- Decomposed the Harmful Gases and Converted Into Non-toxic & Harmless Substances.
- Anti-Formaldehyde 、PM2.5 、TVOC & Fungus.
- Break down Bio-Waste into Hydrophilia and Carbon Dioxide.
- Pass Non-Toxic Testing: the Stem Cells of Adults & Newborns.
- Pass Non-Toxic Testing: Skin & Oral.





Article number	2018.174
LED Consumption	36W
Current	900 mA
Voltage	30-45 (Vdc)
Delivered Lumen	3240 / 3600 (lm)
Beam Angle	120°
CCT	3000 / 4000 / 6000K
CRI	80+

*3600lm is for 4000K and 6000K

Colours White

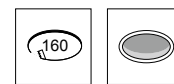
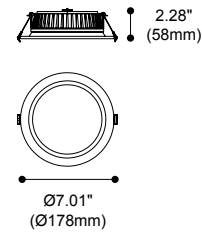
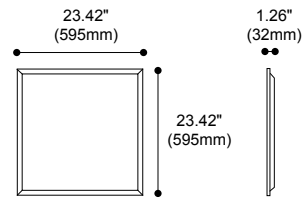
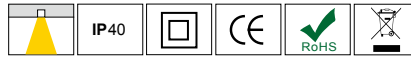
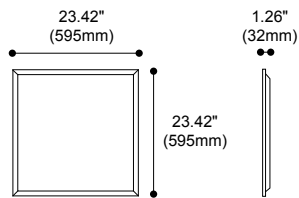
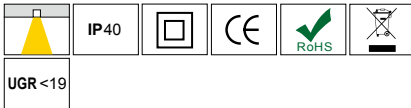
Article number	2018.127
LED Consumption	40W
Current	1000 mA
Voltage	30-45 (Vdc)
Delivered Lumen	3800 / 4400 (lm)
Beam Angle	120°
CCT	3000 / 4000 / 6000K
CRI	80+

*4400lm is for 4000K and 6000K

Colours White

Article number	2018.111
LED Consumption	15W
Current	400 (mA)
Voltage	27-42 (Vdc)
Delivered Lumen	1550 (lm)
Beam Angle	110°
CCT	3000K
CRI	80+

Colours White



Accessories



ST-VB-6 Surface mounted frame ACOT-12 Hanging accessories

Accessories



ST-VB-6 Surface mounted frame ACOT-12 Hanging accessories

Anti-virus

Virus Buster

99%
Decomposes



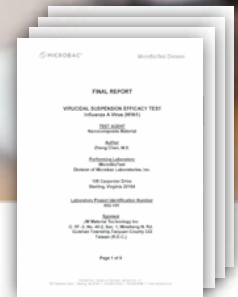
Viruses · Bacteria · Formaldehyde

5-7 days Protection

International Patents
SGS / Microbac Laboratories
Non-toxic / Safe / Skin-harmless



VBS-01



Product Name: Virus Buster Spray

Method of using : Shake before spraying, do not wipe or wash after spraying.

Suitable for: 3C products, Pets, Steering wheel,
Car interior area, Toy, Toilet seat & Door handle.

* Let the mask dry completely after spraying.

* Spray lightly on screen / monitor and use after completely dry.

Ingredients : Nanometer TiO₂ Doped with Ag+

Facts : Breaking down bacteria, viruses, formaldehyde.

VBS-01

Capacity: 30ml

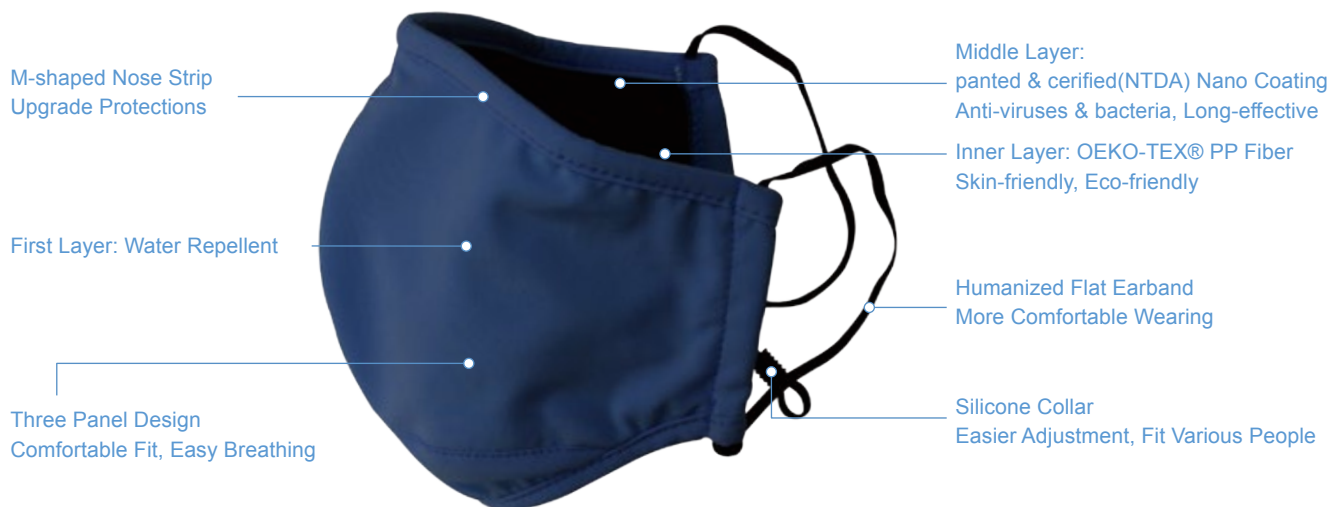
Validity: 2 years

Caution: Avoid eyes & mouth.

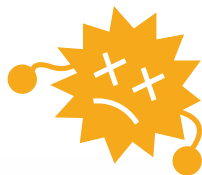
Made in Taiwan

Non-medical supply: Not for medical use.

VB-MASK



Invisible Nano Shield



Effectively Inhibit Bacteria & Viruses Growth



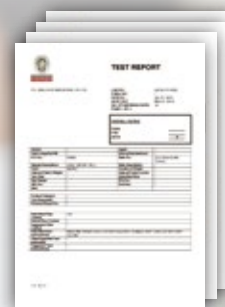
Washable

(* after wash 30 times, the effects may diminish. In this case, suggest spraying bottled NTDA on the inner side of Mask before each use to reinforce protection.)

Anti-Viruses

Anti-Bacteria

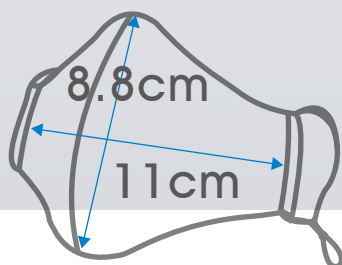
Certified Washable & Reusable



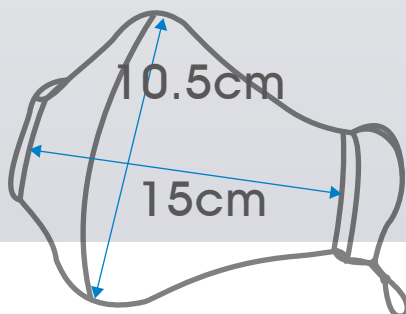
VB Mask has passed professional tests by BUREAU VERITAS

Non-medical supply: Not for medical use.

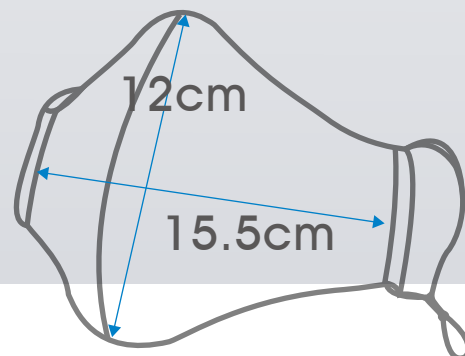
VB-MASK



Children



Women



Men

Prticle number : ACOT-11

Size A(children) : 11 x 8.8cm

Size B(women) : 15 x 10.5cm

Size C(men) : 15.5 x 12cm

Materials :

Colour : Gunmetal, Navy

Tips for wearing :



After putting on the mask, fix the silicone ferrule and the tail of the earband, and to adjust to a comfortable tightness.



Softly press the nose strip to fit your face.



Pull the mask down to reveal the three-dimensional design that makes breathing smooth.

Please note: the material of Inner Layer, 100% cotton material is available upon request.

RISE LIGHTING CO.,LTD

HEAD OFFICE :

No.7-3,Wu Chuan 1st rd., Hsin Chuang Dist.,
New Taipei City, Taiwan, R.O.C
TEL : 886-2-2299-0607 / 886-2-2299-0355
FAX : 886-2-2299-0615

GUANGDONG FACTORY :

NO. 591, Jinhe Road, Hongqi Town, Jinwan District
Zhuhai City, Guangdong, China
Post Code : 519090
TEL : 86-756-3986688
FAX : 86-756-3997799

BEIJING OFFICE :

Guangshun North Street NO.5 B235, Beijing, China
Post Code : 100102
TEL : 86-10-5842-5511
FAX : 86-10-5895-2699

<http://www.rise-lighting.com>

E-mail:rise@rise-lighting.com.tw

Copyright ©since 1987 RISE Lighting Co., Ltd. All rights reserved.

